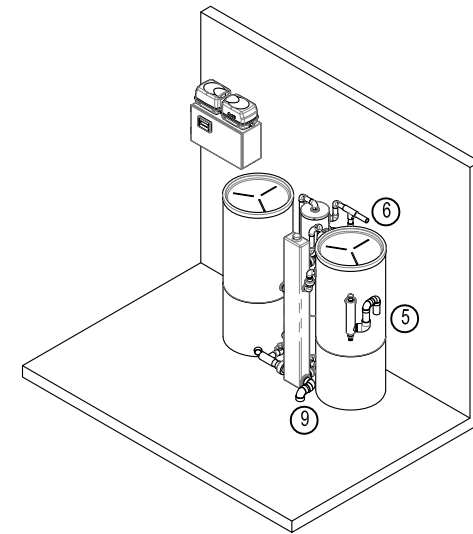


## Aqua2use GWTS 500 Installation Space Requirement



Aqua2use GWDD Prefilter		
1	Grey water inlet	2" connection
2	Prefilter	Aqua2use GWDD, unit can be installed above or semi-underground
3	Pump cable connection	Pump supplied with 6 m cable To be provided by customer : power outlet AC : 230V / 50 Hz 1.4Amp. , 270W
Aqua2use GWTS 500		
4	Prefiltered greywater inlet	1" connection from Aqua2use GWDD
5	Treated water outlet	1.5" pipe
6	Air vent outlet	1" pipe
7	Unit drainage	2" pipe to be provided by customer
8	Control cabin	Cable connection : 1500 mm To be provided by customer : power outlet AC : 230V / 50 Hz
9	Floor drainage	for 2" outlet Provided by customer